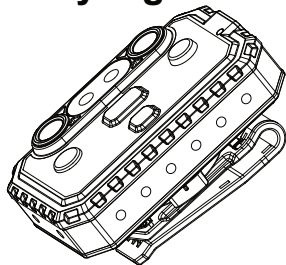




RovyVon®

Safety Light Series



Runfree Equipment Technology Co., Ltd.

Website: www.RovyVon.com

Email: info@RovyVon.com

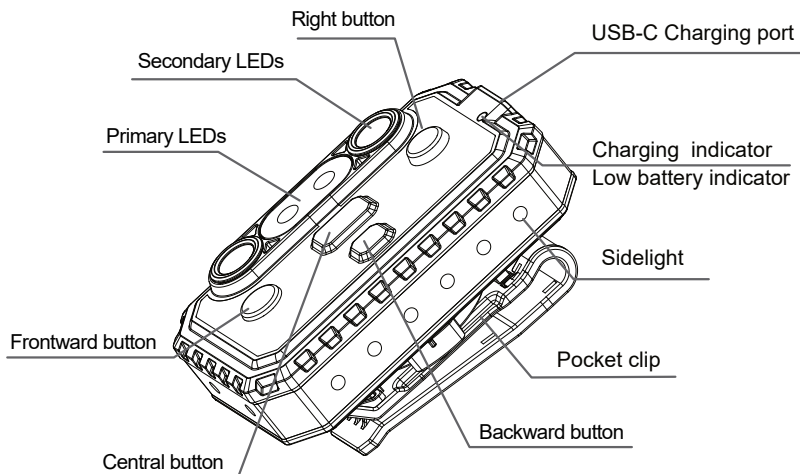
Address: 702, Zongtai Future City, BaoYuan Rd., Xixiang Street, Bao'An District, Shenzhen, China

Made in China

PRODUCT INFORMATION

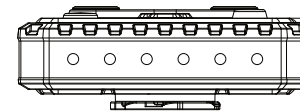
Material	Polycarbonate
Dimensions	80 (L) x 53.5 (W) x 28 (H) mm
Weight	120g / 4.23oz
Front LEDs	Primary: SST-20 6500K x2, max 1000 lumens
	Secondary 1) SST-20 4000K 95CRI + Red (SL42 & SL44) 2) 365nm UV x2 (SL41 & SL43)
Side LEDs	1) White x8 + Red x8 (SL41 & SL42) White x8 + Red x6 + Blue x2 (SL43 & SL44)
Battery	Built-in 2500mAh Li-po battery
Charging	Port: USB-C
	Spec: 5V-3A
	Time: 1.5 hours
Battery Indicator	White sidelights White x1: 0-4% White x2: 5%-19% White x3: 20%-39% White x4: 40%-59% White x5: 60%-79% White x6: 80%-100%
Low battery	3.0V
Water resistant	IP68
Impact resistant	1.5m
Accessories	User manual, USB-C cable, Clip, USB Cover, Warranty Card

PRODUCT DIAGRAM

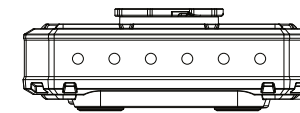


LOCK/UNLOCK

*Please unlock before the first use.



Lock: when the light is off, press and hold the Backward Button for 5 seconds, the Red sidelights will show Rotating Flash twice to indicate it's locked.



Unlock: when the light is locked, press and hold the Backward Button for 5 seconds, the White sidelights will show Rotating Flash twice to indicate it's unlocked.

*Quick-unlock: charging the device will automatically unlock the light, and it will remain unlocked even after being unplugged.

OPERATION

SL41

A.Front Light

- Primary LEDs: Click the Central button to turn on from low, and then click to cycle through Low-Med-High, press 0.5s to turn off.
- Secondary LEDs: Click the Right button to turn on the UV light, click again or press 0.5s to turn off.

NOTE: The Primary LEDs and Secondary LEDs are not able to be turned on simultaneously.

B.Sidelight

- White: Click the Frontward button to turn on from Low mode, then click to cycle through Low-High-Rotating Flash, press 0.5s to turn off.
- Red: Click the Backward button to turn on from Low mode, then click to cycle through Low-High-Flash-Rotating Flash, press 0.5s to turn off.

C. Globe Flashing

With the light off, press and hold the center button for 5 seconds to activate all sidelights flashing together. Click again to toggle the primary globe flashing LEDs to Pulse Beacon mode and press and hold for 0.5 seconds to turn off.

SL42

A.Front Light

- Primary LEDs: Click the Central button to turn on from low, and then click to cycle through Low-Med-High, press 0.5s to turn off.
- Secondary LEDs: Click the Right button to turn on the memorized light source (High CRI White light or Red light) from low mode, click again to cycle through Low-High, press 0.5s to turn off*.

*Turn off memorizes the last used light source.

NOTE: The Primary LEDs and Secondary LEDs are not able to be turned on simultaneously.

B.Sidelight

- White: Click the Frontward button to turn on from Low mode, then click to cycle through Low-High-Rotating Flash, press 0.5s to turn off.
- Red: Click the Backward button to turn on from Low mode, then click to cycle through Low-High-Flash-Rotating Flash, press 0.5s to turn off.

C.Globe Flashing

With the light off, press and hold the center button for 5 seconds to activate all sidelights flashing together. Click again to toggle the primary globe flashing LEDs to Pulse Beacon mode and press and hold for 0.5 seconds to turn off.

SL43

A.Front Light

- Primary LEDs: Click the Central button to turn on from low, and then click to cycle through Low-Med-High, press 0.5s to turn off.
- Secondary LEDs: Click the Right button to turn on the UV light, click again or press 0.5s to turn off.

NOTE: The Primary LEDs and Secondary LEDs are not able to be turned on simultaneously.

B.Sidelight

- White: Click the Frontward button to turn on from Low mode, then click to cycle through Low-High-Rotating Flash, press 0.5s to turn off.
- Red: Click the Backward button to turn on from Low mode, then click to cycle through Low-High-Flash-Rotating Flash, press 0.5s to turn off.
- Blue: Rapid double click the Backward button to switch to Blue flash mode, click to cycle through Blue flash-Red/Blue flash, press 0.5s to turn off.

C.Globe Flashing

With the light off, press and hold the center button for 5 seconds to activate all sidelights flashing together. Click again to toggle the primary globe flashing LEDs to Pulse Beacon mode and press and hold for 0.5 seconds to turn off.

SL44

A.Front Light

- Primary LEDs: Click the Central button to turn on from low, and then click to cycle through Low-Med-High, press 0.5s to turn off.
- Secondary LEDs: Click the Right button to turn on the memorized light source (High CRI White light or Red light) from low mode, click again to cycle through Low-High, press 0.5s to turn off*.

*Turn off memorizes the last used light source.

NOTE: The Primary LEDs and Secondary LEDs are not able to be turned on simultaneously.

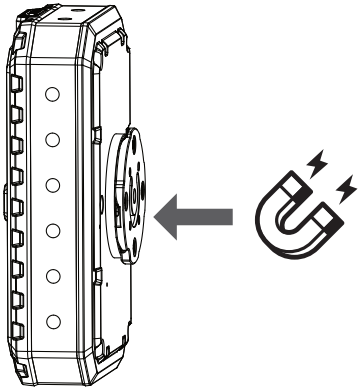
B.Sidelight

- White: Click the Frontward button to turn on from Low mode, then click to cycle through Low-High-Rotating Flash, press 0.5s to turn off.
- Red: Click the Backward button to turn on from Low mode, then click to cycle through Low-High-Flash-Rotating Flash, press 0.5s to turn off.
- Blue: Rapid double click the Backward button to switch to Blue flash mode, click to cycle through Blue flash-Red/Blue flash, press 0.5s to turn off.

C.Globe Flashing

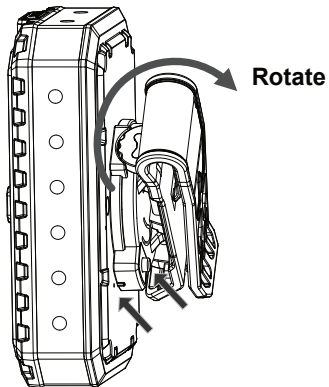
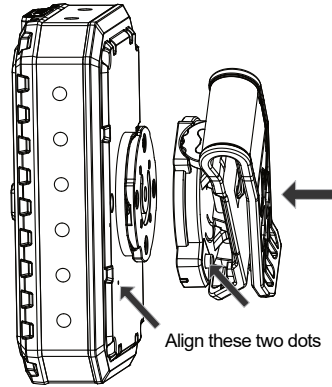
With the light off, press and hold the center button for 5 seconds to activate all sidelights flashing together. Click again to toggle the primary globe flashing LEDs to Pulse Beacon mode and press and hold for 0.5 seconds to turn off.

MAGNETIC BASE

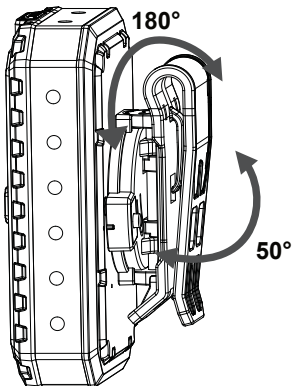


POCKET CLIP

Install

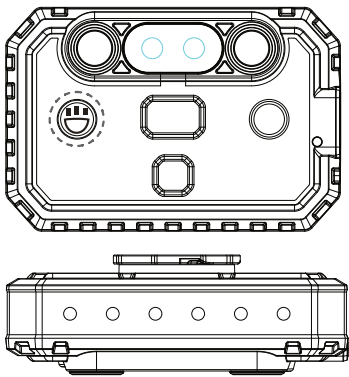


Adjustment



BATTERY INDICATOR

With the light off, rapid triple click the Frontward Button, the number of the White sidelights on indicates the remaining battery.



White x1: 0-4%
 White x2: 5%-19%
 White x3: 20%-39%
 White x4: 40%-59%
 White x5: 60%-79%
 White x6: 80%-100%

PARAMETERS

FRONT LIGHT	Primary LEDs			Secondary LEDs				
				SL42 & SL44				SL41 & SL43
	Low	Medium	High	White		Red		UV
Low				High	Low	High		
Output	10lms	400lm	1000lms*	10	400	/	/	/
Runtime	276hrs	4.5hrs	2hrs	276hrs	2hrs	242hrs	3hrs	3.5hrs
Intensity	/	1000cd	3000cd	/	800cd	/	/	/
Beam distance	/	60m	100m	/	40m	/	/	/

*High mode will step down to 600 lumens in 2 minutes.

SIDELIGHTS	White		Red	
	Low	High	Low	High
Output	10lms	60lms	/	/
Runtime	67hrs	6.5hrs	161hrs	14hrs

WARRANTY

- (1) Period: 2 years since the date of purchase
- (2) Disclaimer: Any product defects caused by human factors or disassembling without manufacturer's permission are not covered by the warranty.
- (3) How to Get Warranty Service: If you have a problem with your RovyVon product(s), please follow the steps below to obtain warranty service.
 - a. Describe where and when you purchased the product (an order number or screenshot of the order is helpful)
 - b. Brief description of the problem
 - c. Take photos or short video(s) of the problem (if they can't be sent via email, share them via Google Drive or other cloud service you use)
 - d. Send an email to cs@rovyvon.com.

NOTE

- 1) The sidelights can work independently or together.
- 2) The remaining battery indicator can only be checked when the light is off.
- 3) Please ensure that the USB-C port cover is properly sealed when using it outdoors.
- 4) When the battery is lower than 2.8V, the light is not able to turn on, please charge it.
- 5) The runtime of the sidelight modes below are not tested,
 - White: Rotating Flash;
 - Red: Flash and Rotating Flash;
 - Blue: Blue Flash and Red/Blue Flash;
 - Hidden mode: Globe Flash

WARNING

- (1) DO NOT shine the light into human eyes, it may cause temporary blindness or permanent damage to the eyes.
- (2) DO NOT look directly at the LED in case it is accidentally turned on.
- (3) Keep out of the reach of children.
- (4) Please LOCK the flashlight when it's not in use or when carrying or transporting it.
- (5) DO NOT use underwater.